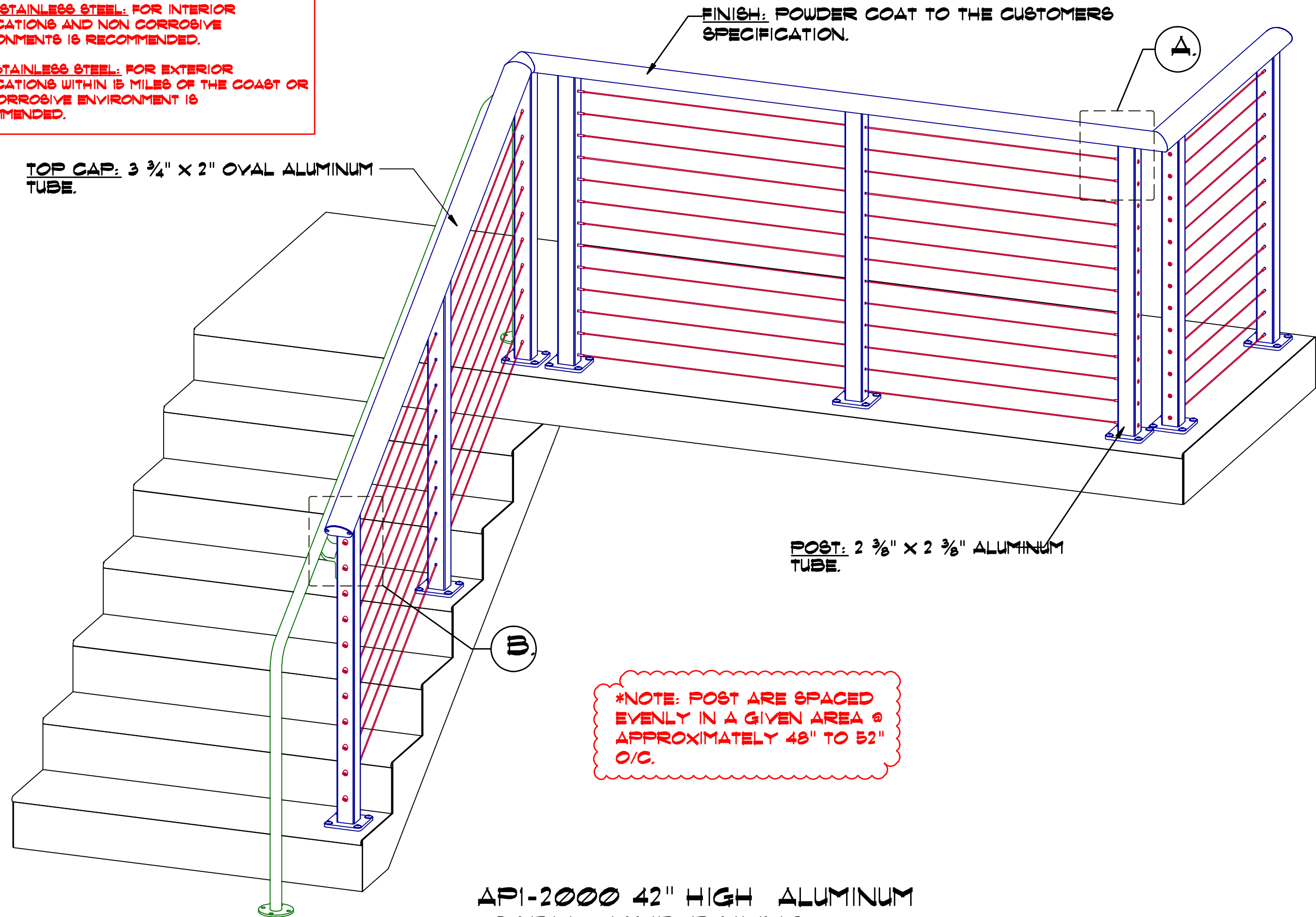


NOTE:
 T-304 STAINLESS STEEL: FOR INTERIOR APPLICATIONS AND NON CORROSIVE ENVIRONMENTS IS RECOMMENDED.
 T-316 STAINLESS STEEL: FOR EXTERIOR APPLICATIONS WITHIN 15 MILES OF THE COAST OR IN A CORROSIVE ENVIRONMENT IS RECOMMENDED.

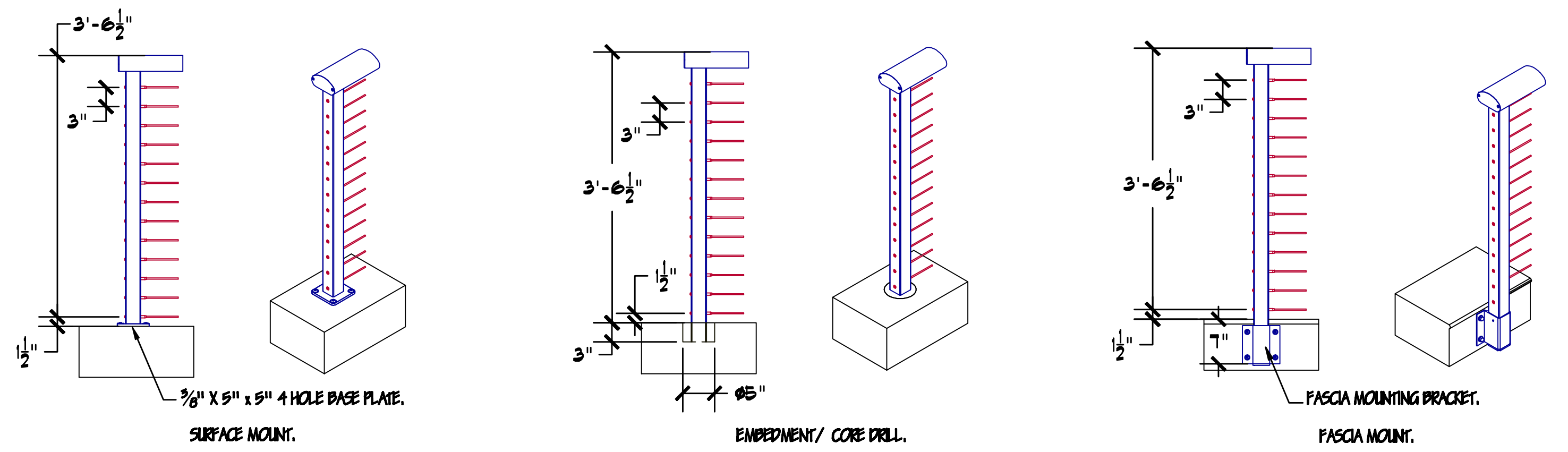
FINISH: POWDER COAT TO THE CUSTOMER'S SPECIFICATION.

TOP CAP: 3 3/4" X 2" OVAL ALUMINUM TUBE.



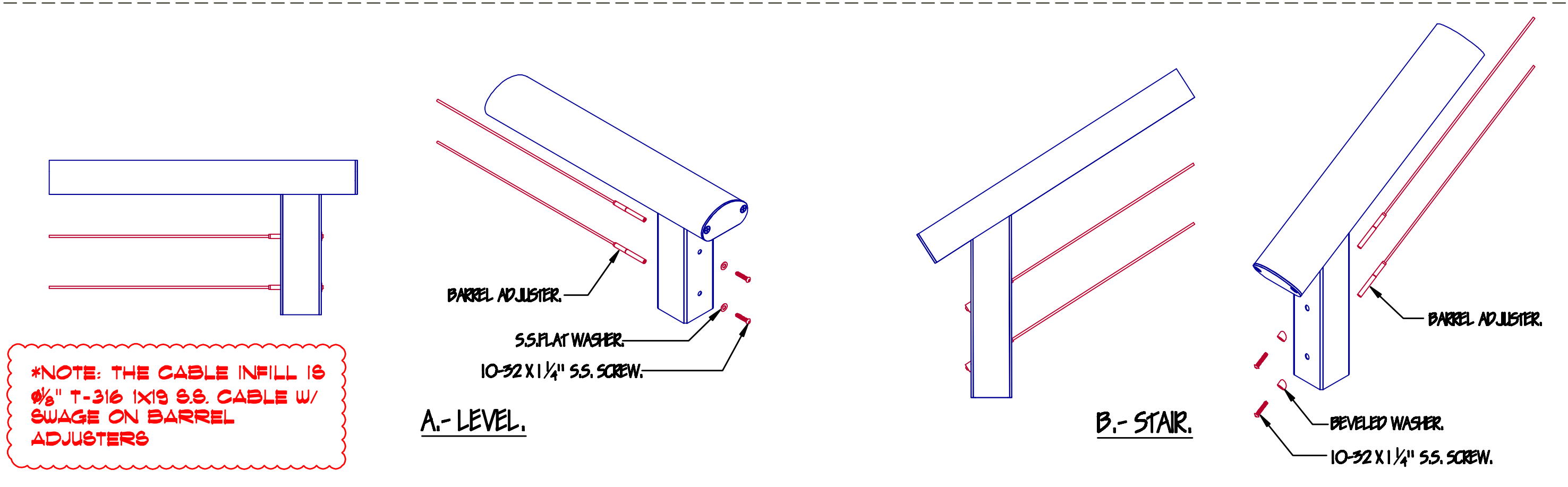
API-2000 42" HIGH ALUMINUM CABLE HAND RAILING.

SCALE: 1" = 1'



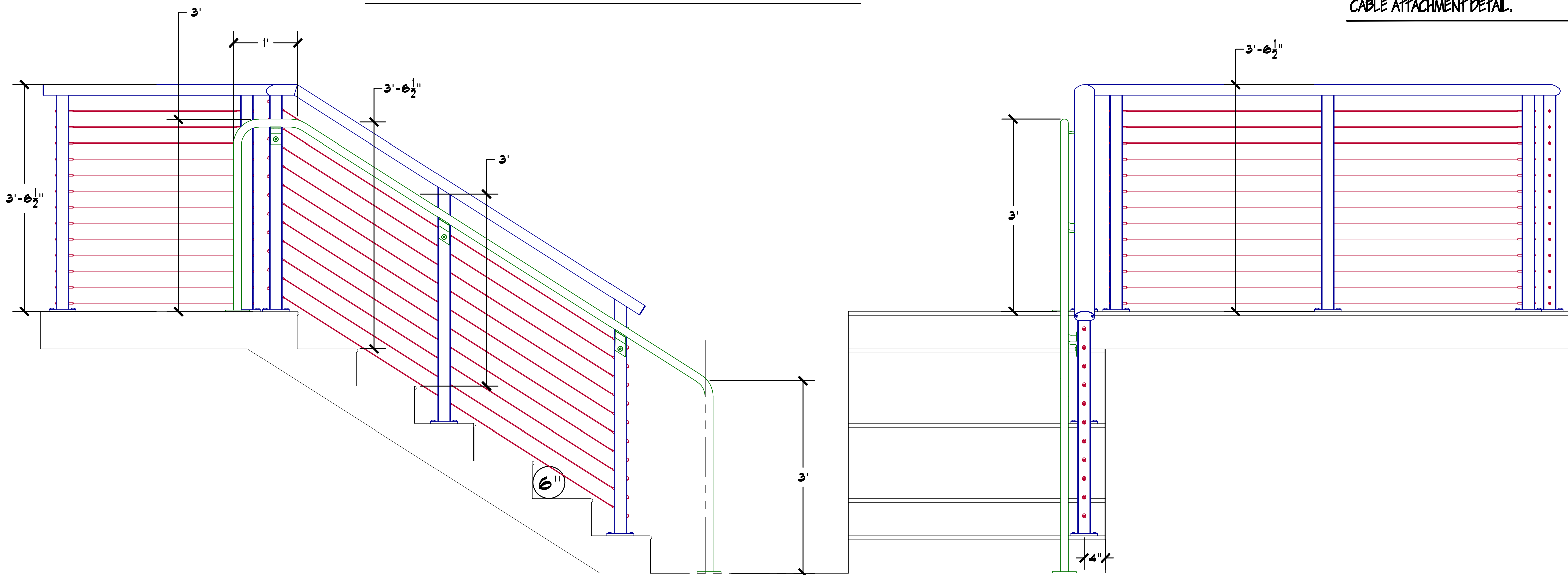
API-2000 TYPICAL MOUNTING OPTIONS.

SCALE: 3/4" = 1'



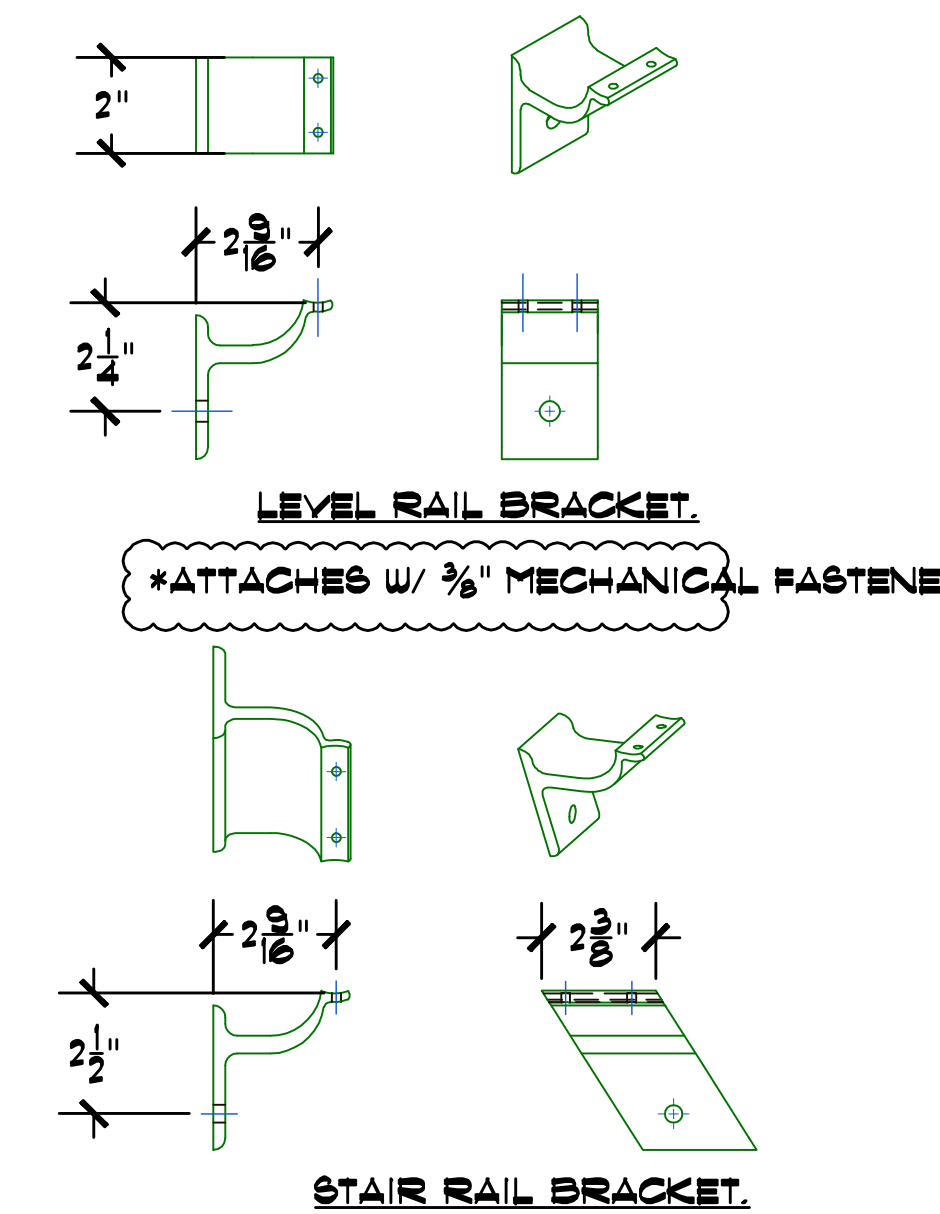
CABLE ATTACHMENT DETAIL.

SCALE: 2" = 1'



API-2000 42" STAIR GUARD RAILING.

SCALE: 1" = 1'



GRAB RAIL BRACKET DETAIL. SCALE: 3" = 1'

PRODUCT:
 API-2000 ALUMINUM AND STAINLESS STEEL CABLE RAILING SYSTEM.
 CONTENT:
 STANDARD SYSTEM DETAILS.
 DRAWN BY: KELLER, C.
 DATE: 01-12-2015

2111 34TH WAY
 LARGO FL 33111
 PH: 727-536-1824
 FAX: 727-538-6314
 SALES@SECO SOUTH.COM

PROPRIETARY AND CONFIDENTIAL.
 THE INFORMATION CONTAINED IN THIS DRAWING IS THE SOLE PROPERTY OF SECO SOUTH INC. ANY REPRODUCTION IN PART OR AS A WHOLE WITHOUT THE WRITTEN PERMISSION OF SECO SOUTH INC. IS PROHIBITED.