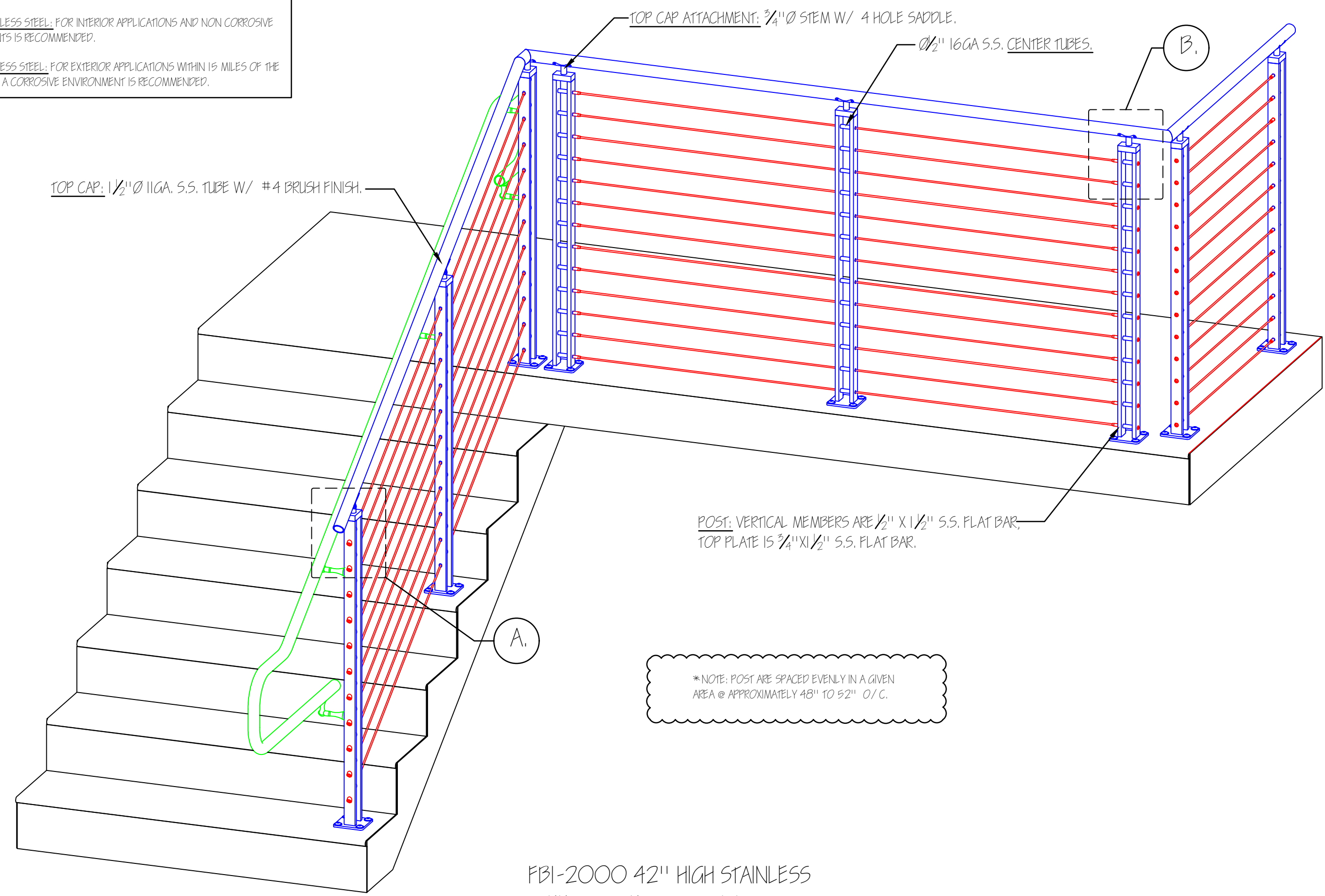
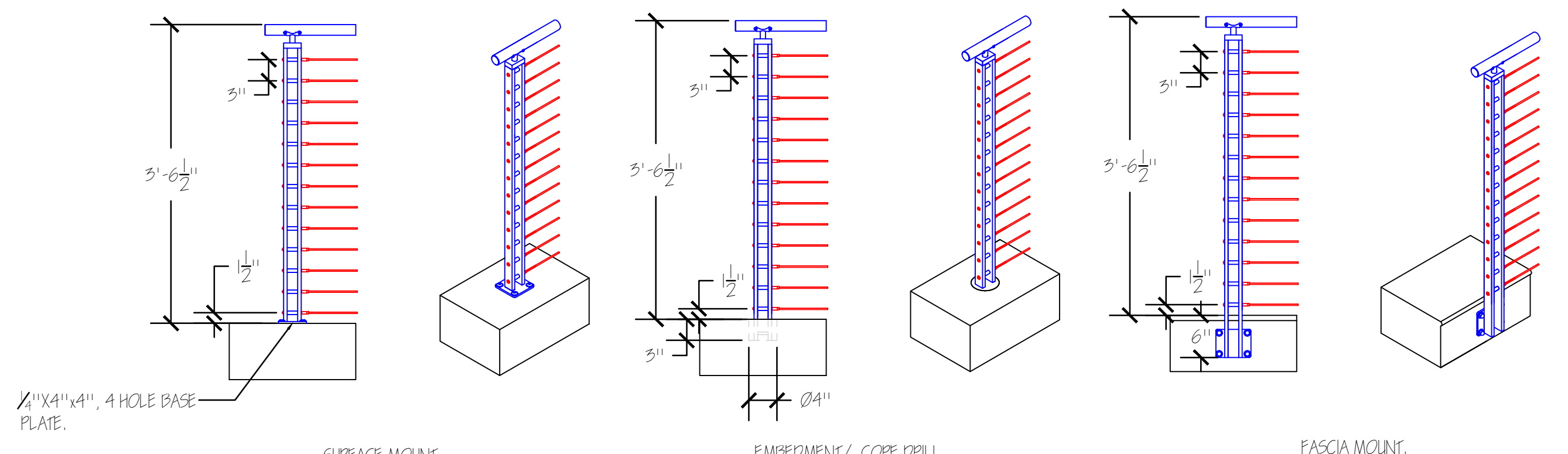


NOTE:
 1-304 STAINLESS STEEL FOR INTERIOR APPLICATIONS AND NON CORROSIVE ENVIRONMENTS IS RECOMMENDED.
 1-316 STAINLESS STEEL FOR EXTERIOR APPLICATIONS WITHIN 15 MILES OF THE COAST OR IN A CORROSIVE ENVIRONMENT IS RECOMMENDED.

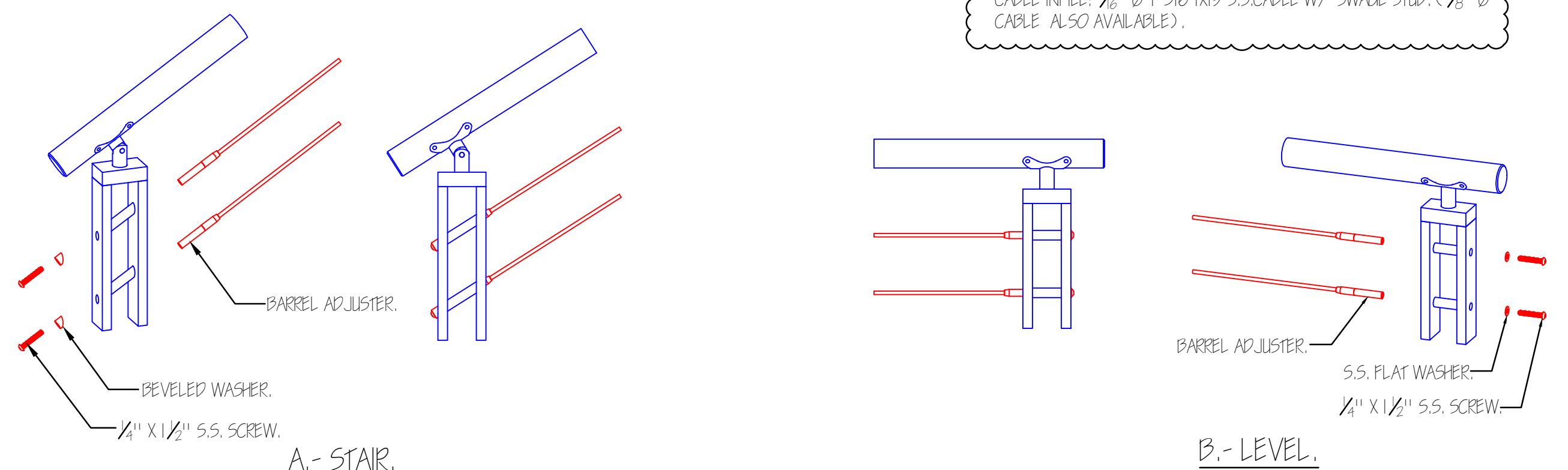


FBI-2000 42" HIGH STAINLESS STEEL CABLE HAND RAILING. SCALE: 1" = 1'

*NOTE: POST ARE SPACED EVENLY IN A GIVEN AREA @ APPROXIMATELY 48" TO 52" O/C.

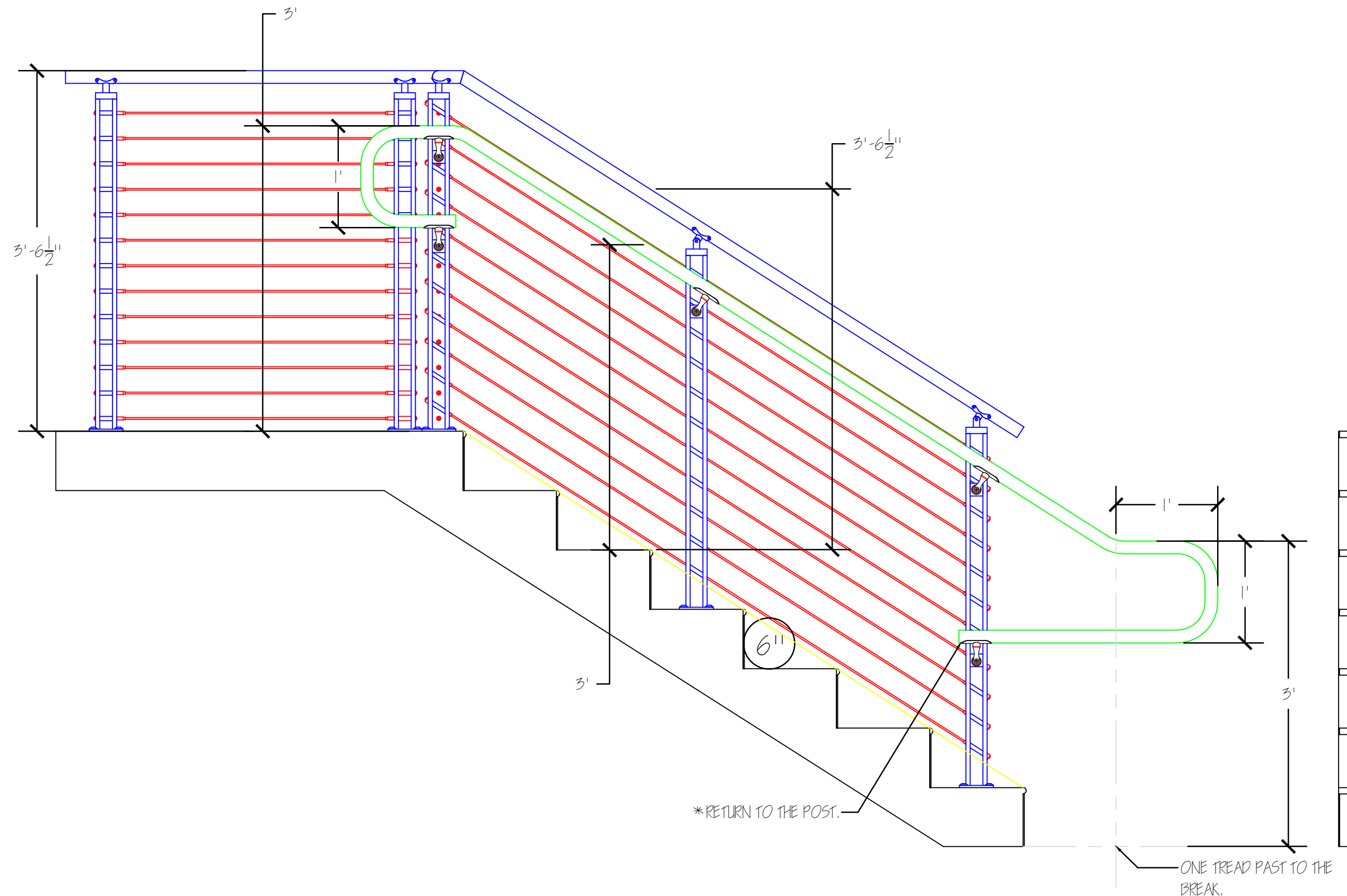


FBI-2000 TYPICAL MOUNTING OPTIONS. SCALE: 3/4" = 1'

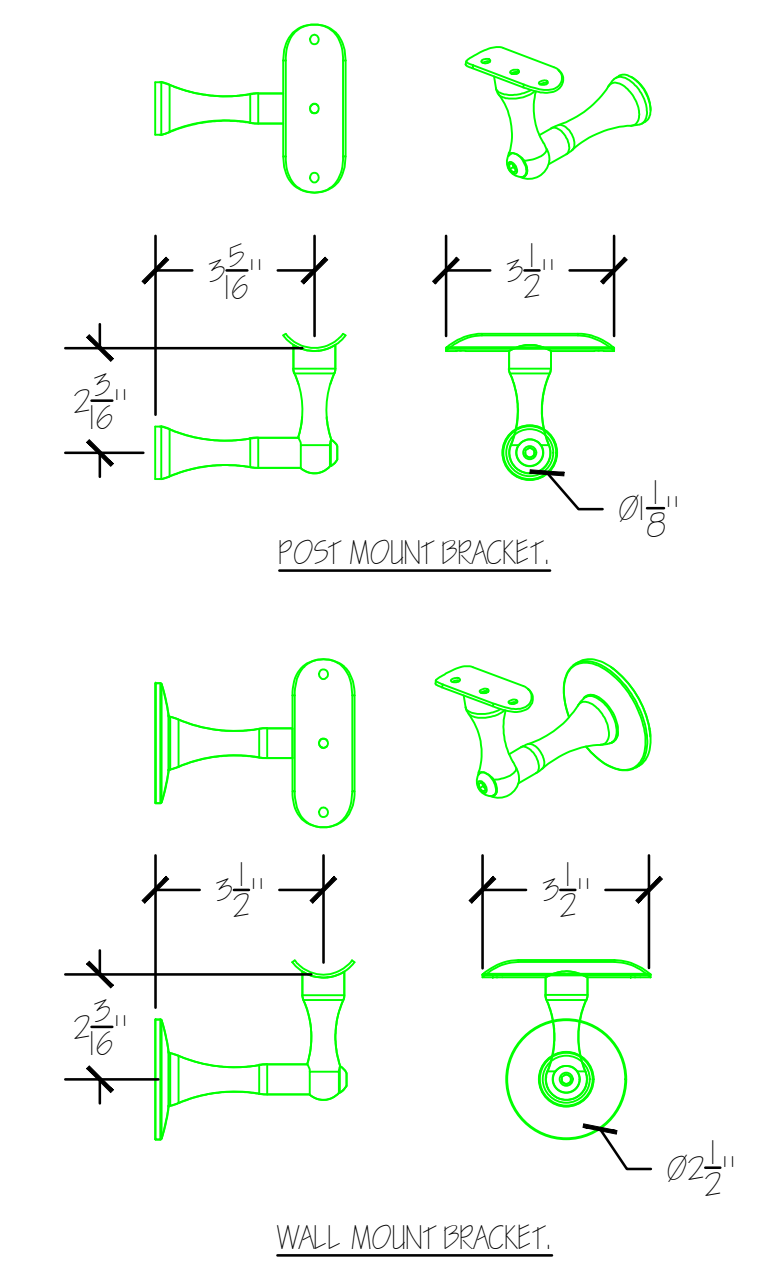
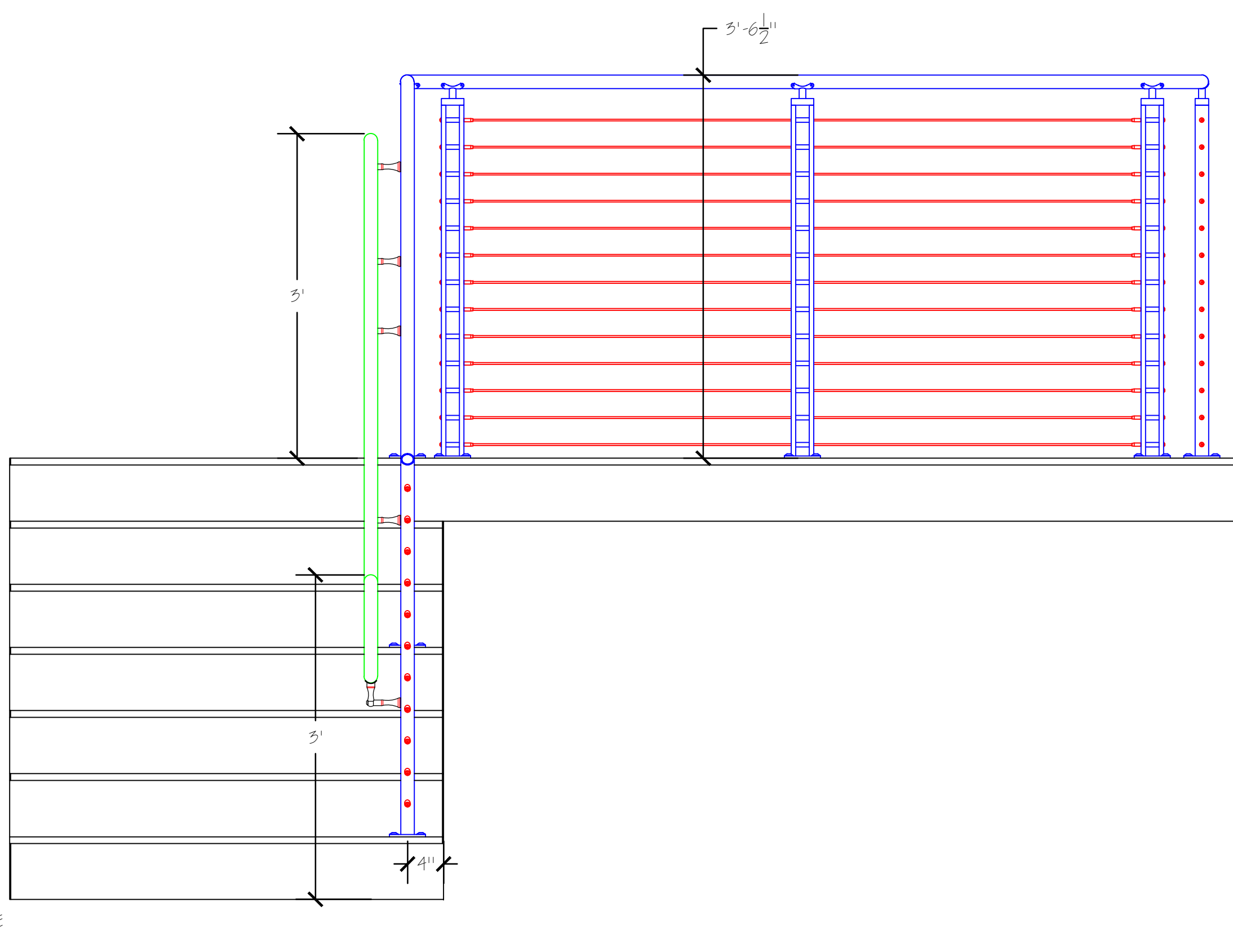


CABLE ATTACHMENT DETAIL. SCALE: 2" = 1'

CABLE INFILL: 3/16" @ 1-316 1X19 S.S. CABLE W/ SWAGE STUD. (1/8" @ CABLE ALSO AVAILABLE).



FBI-2000 42" STAIR GUARD RAILING. SCALE: 1" = 1'



GRAB RAIL BRACKET DETAIL. SCALE: 3/4" = 1'

PRODUCT:
 FBI-2000 STAINLESS STEEL CABLE RAILING SYSTEM.

CONTENT:
 STANDARD SYSTEM DETAILS

DRAWN BY: WINN, T. / FRANZ, J.

DATE: 12-03-2018

PROPERTY AND COPYRIGHT OF THE INFORMATION CONTAINED IN THIS DRAWING IS THE SOLE PROPERTY OF SECO SOUTH INC. ANY REPRODUCTION IN PART OR AS A WHOLE WITHOUT THE WRITTEN PERMISSION OF SECO SOUTH INC. IS PROHIBITED.

2811 54TH WAY
 LARGO FL 34771
 PH: 727-558-1924
 FAX: 727-559-6314
 SALES@SECOSSOUTH.COM