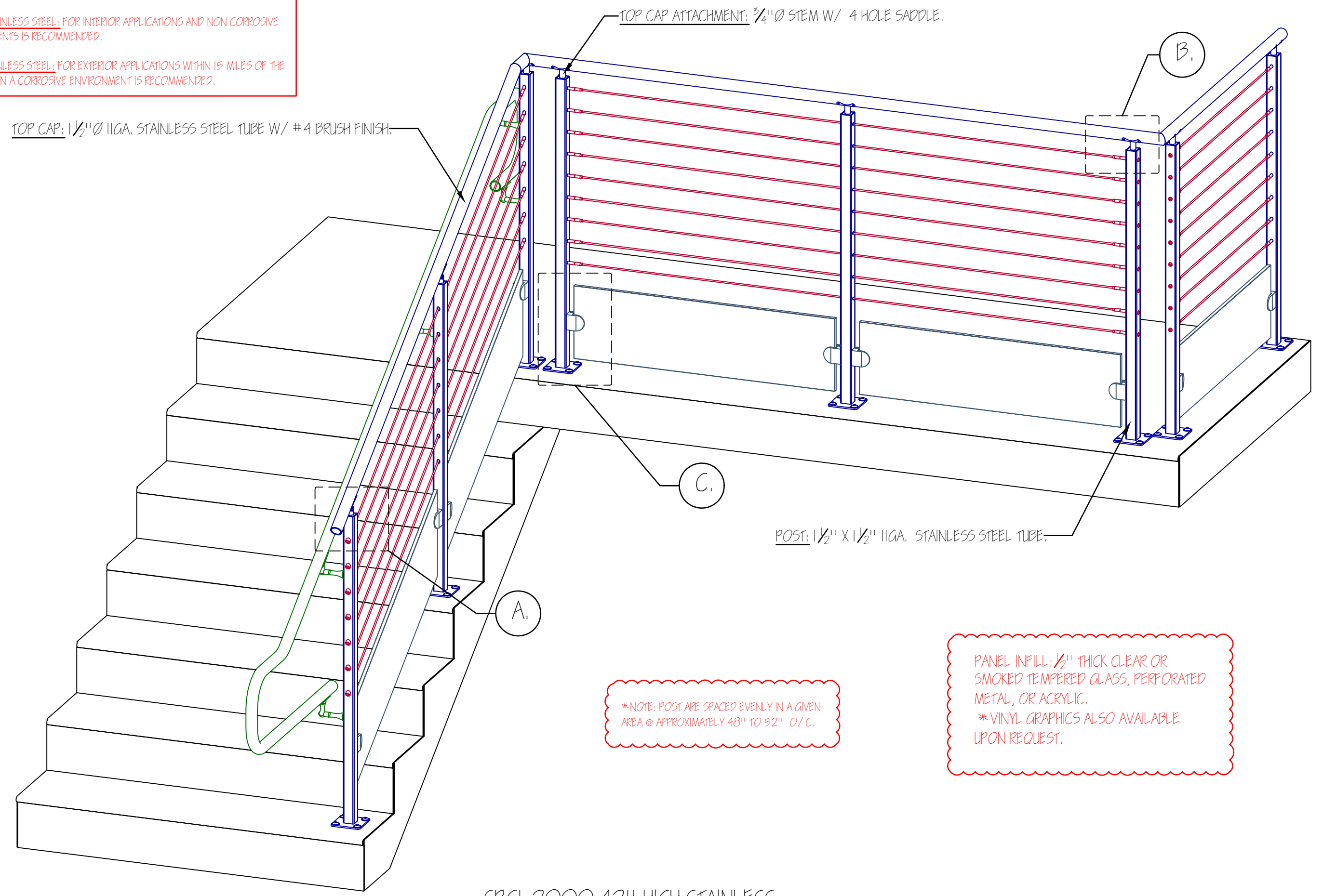
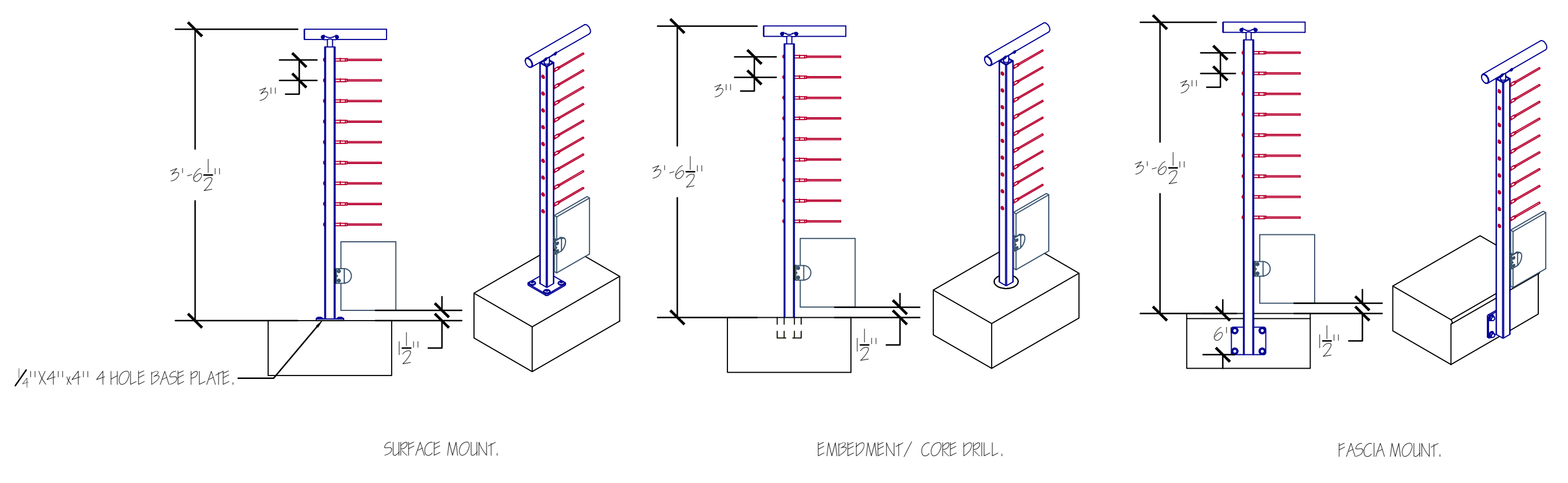


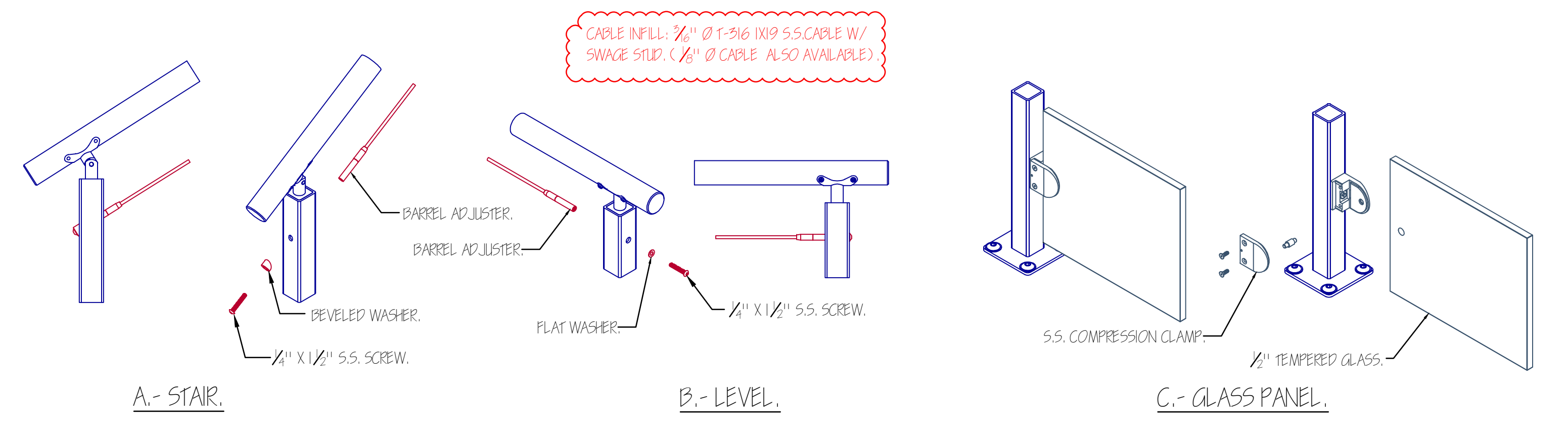
NOTE:
 1-304 STAINLESS STEEL FOR INTERIOR APPLICATIONS AND NON CORROSIVE ENVIRONMENTS IS RECOMMENDED.
 1-316 STAINLESS STEEL FOR EXTERIOR APPLICATIONS WITHIN 15 MILES OF THE COAST OR IN A CORROSIVE ENVIRONMENT IS RECOMMENDED.



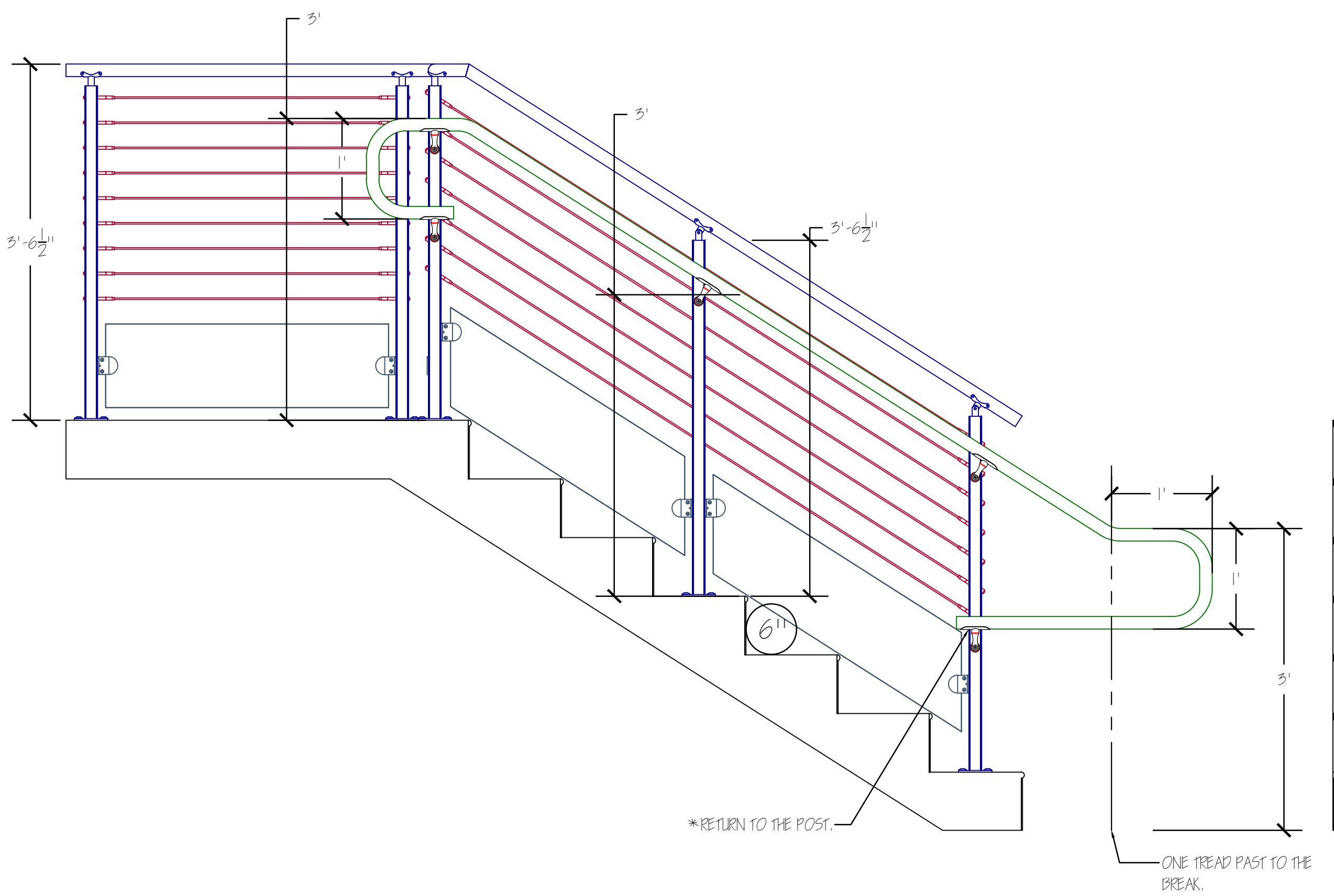
SPGI-2000 42" HIGH STAINLESS STEEL CABLE AND GLASS GUARD RAILING. SCALE: 1" = 1"



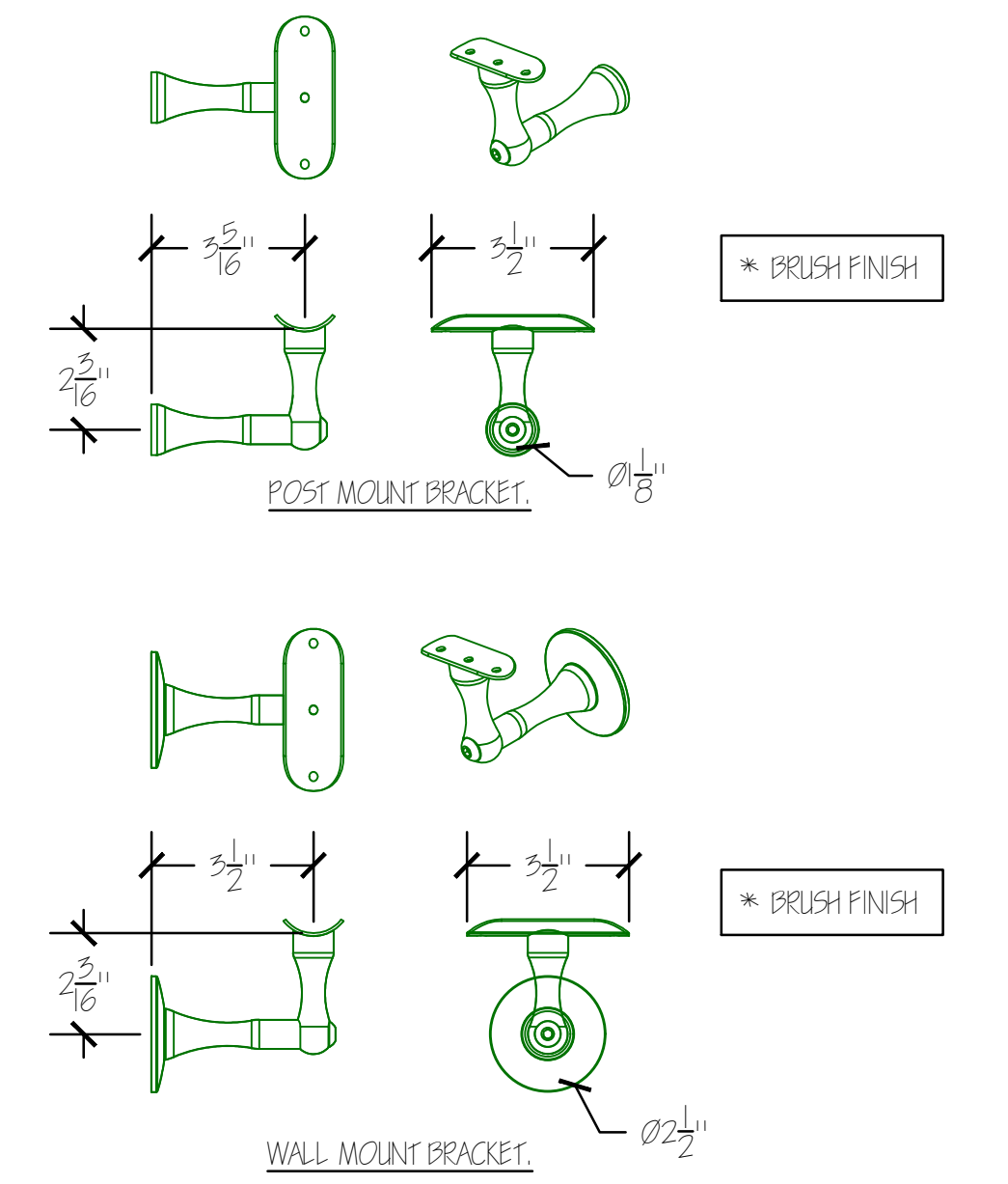
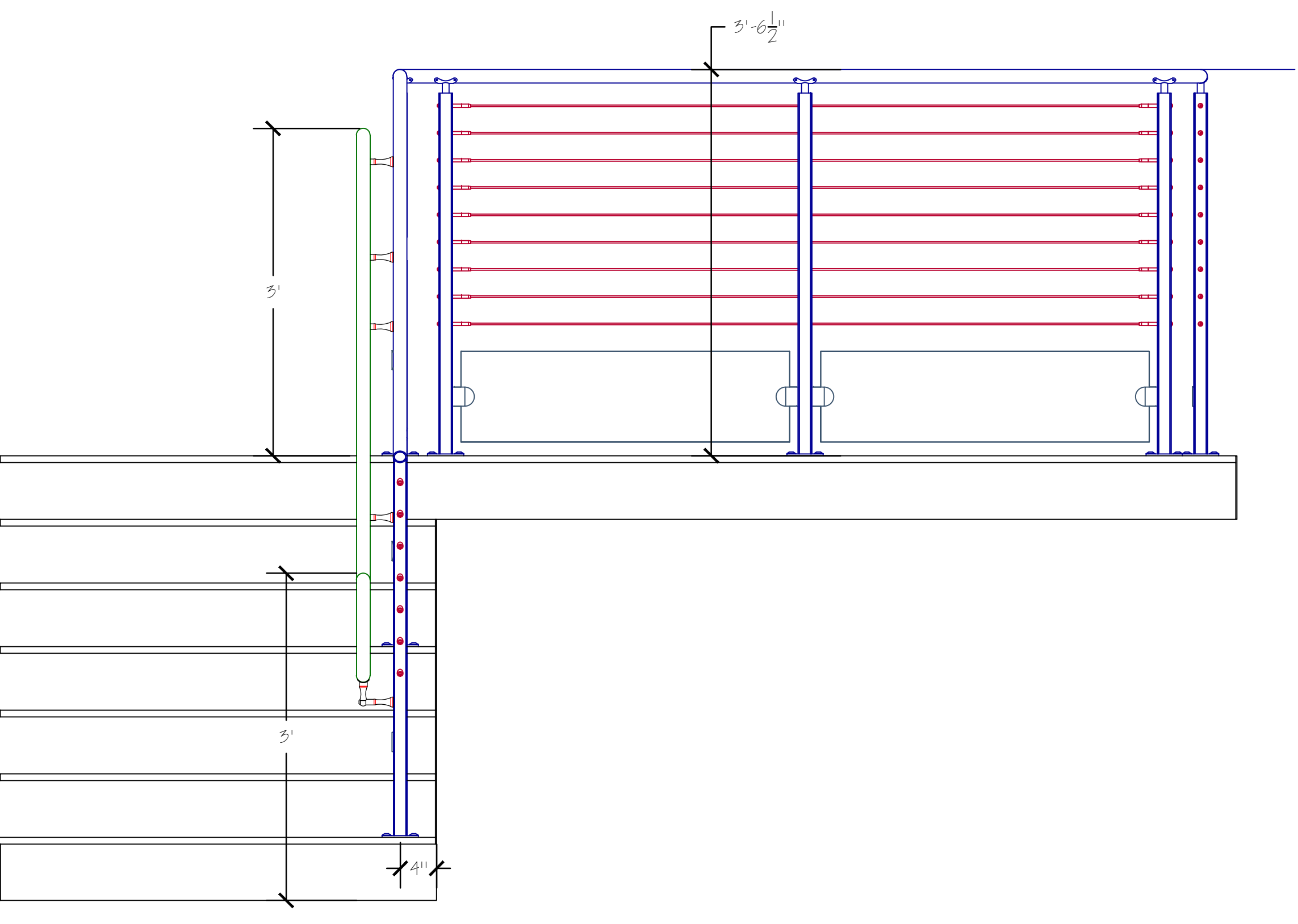
SPGI-2000 TYPICAL MOUNTING OPTIONS. SCALE: 3/4" = 1"



CABLE ATTACHMENT DETAIL. SCALE: 2" = 1"



SPGI-2000 42" GUARD RAILING. SCALE: 1" = 1"



GRAB RAIL BRACKET DETAIL. SCALE: 3" = 1"

PRODUCT: SPGI-2000 STAINLESS STEEL CABLE AND GLASS RAILING SYSTEM.
 CONTENT: STANDARD SYSTEM DETAILS.
 DRAWN BY: KELLER, C. / FRANZ, J.
 DATE: 12-03-2018

PROPERTY AND CONFIDENTIALITY: THE INFORMATION CONTAINED IN THIS DRAWING IS THE SOLE PROPERTY OF SECO SOUTH INC. ANY REPRODUCTION IN PART OR AS A WHOLE WITHOUT THE WRITTEN PERMISSION OF SECO SOUTH INC. IS PROHIBITED.

2111 54TH WAY
 LARGO, FL 34771
 PH: 727-558-1924
 FAX: 727-559-6314
 SALES@SECOSSOUTH.COM